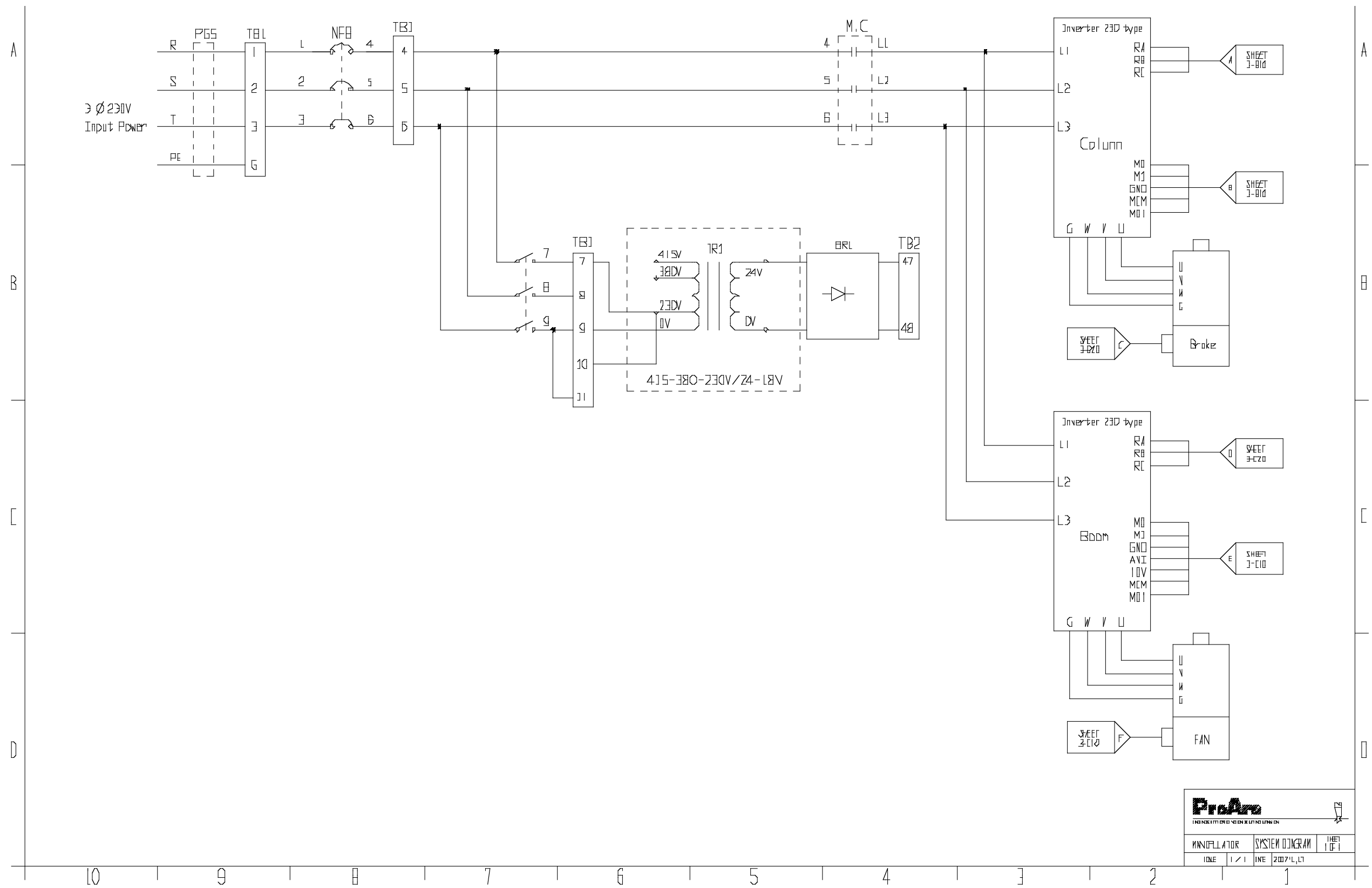
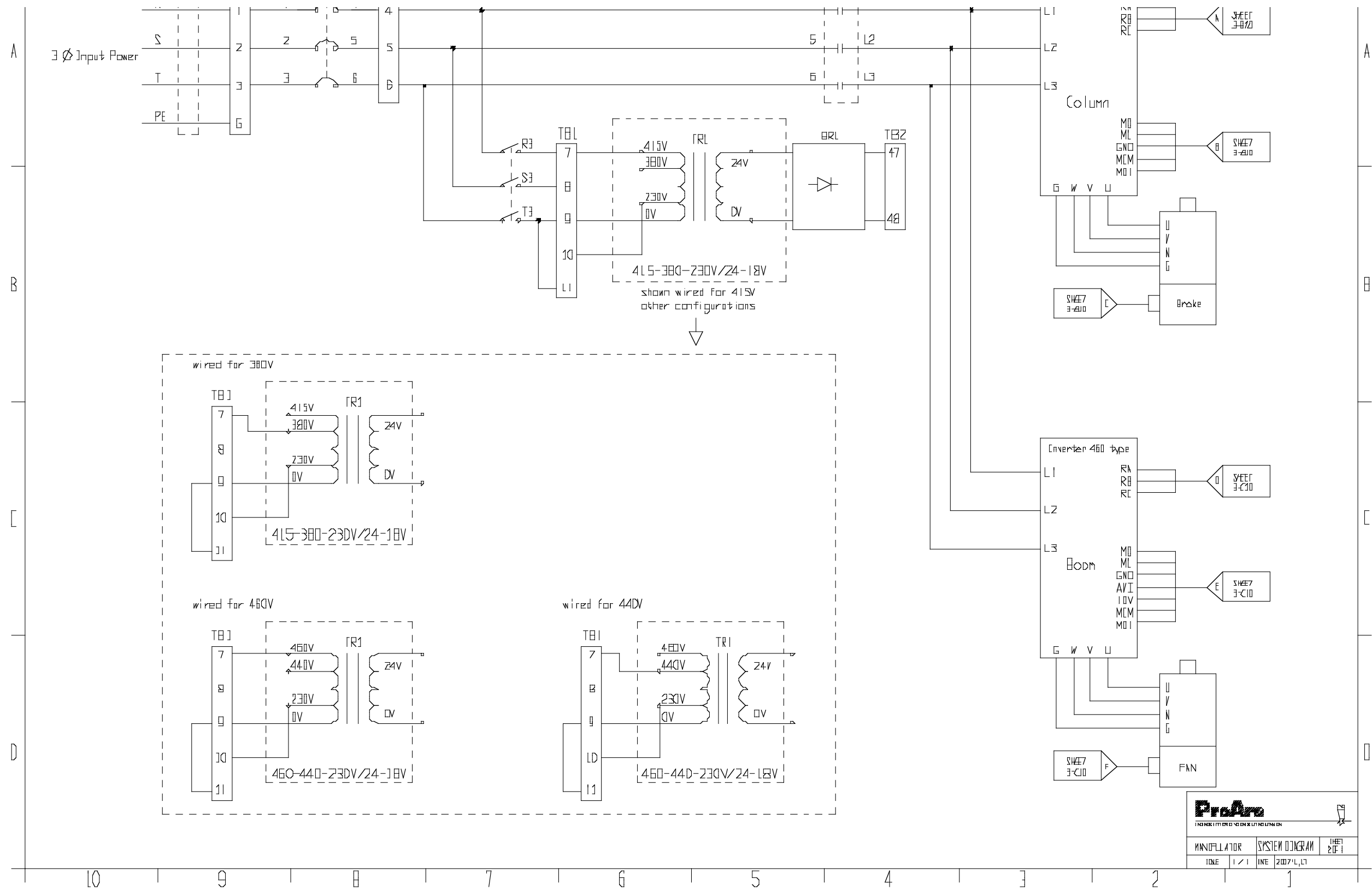


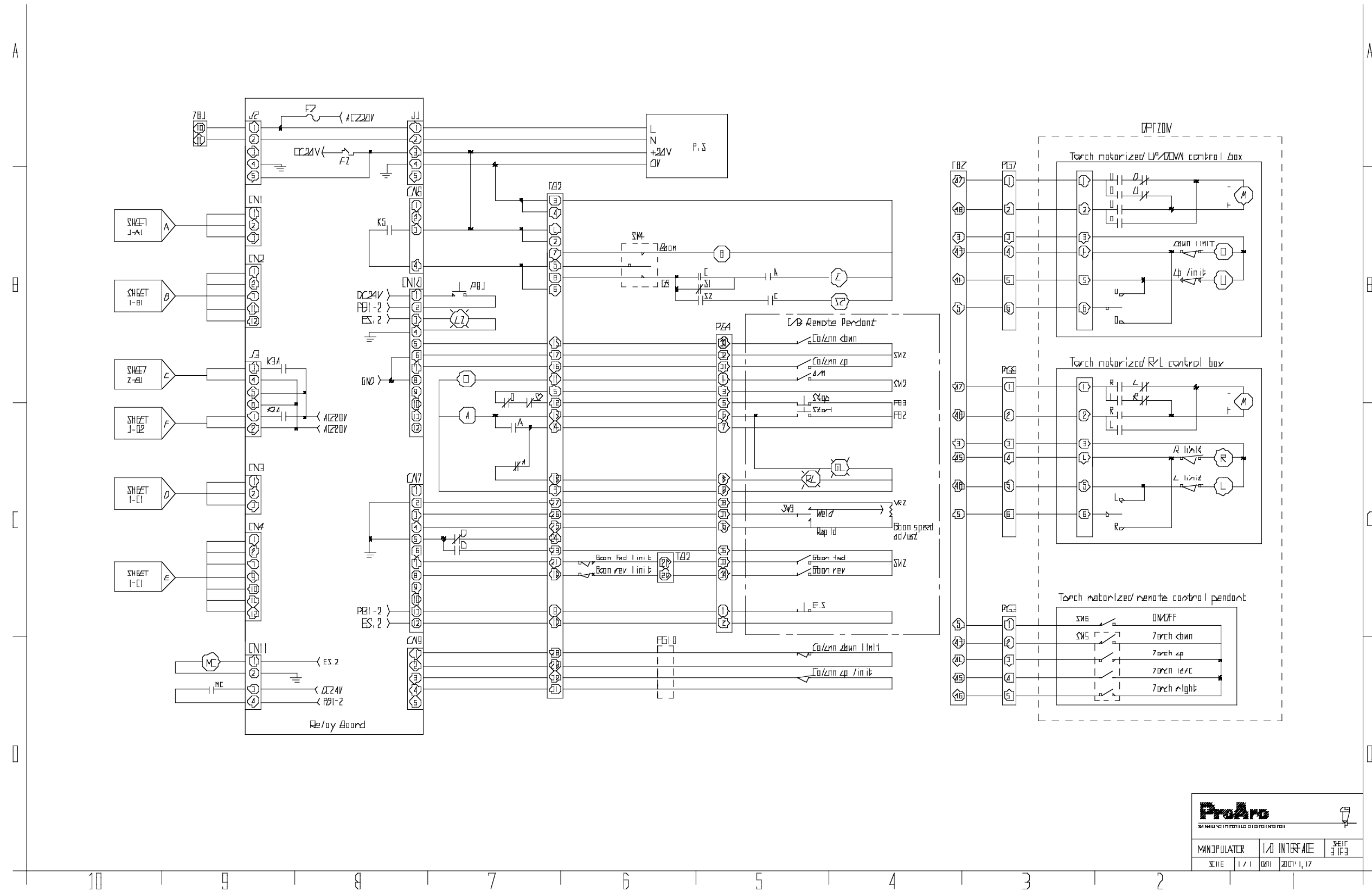
# 8.1 CIRCUIT DIAGRAM



# 8.1 CIRCUIT DIAGRAM



# 8.1 CIRCUIT DIAGRAM



<b>ProArc</b>		
SINUSOIDAL INVERTER		
MANIPULATOR	I/O INTERFACE	REF. FILE
Σ11E	1 / 1	001 2001.1, 17