

# Ball Valves

## ■ BV112, BV113, BV114, BV116, BV118 SERIES BALL VALVES

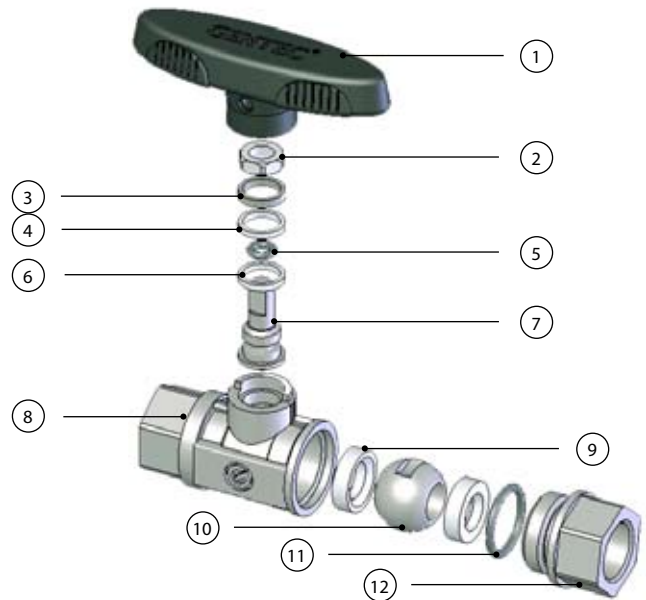


### ■ Features

- Maximum operating pressure: 1000 psi (69 bar)
- Operating temperature: -40°F ~ 248°F (-40°C ~ 120°C)
- End connections: GENLOK and NPT  
(please refer to the tables on next page for the specifications)
- Cleaned and degreased for oxygen service according to CGA G-4.1 and ASTM G93 Class C, respectively
- Every valve is factory tested for leakage

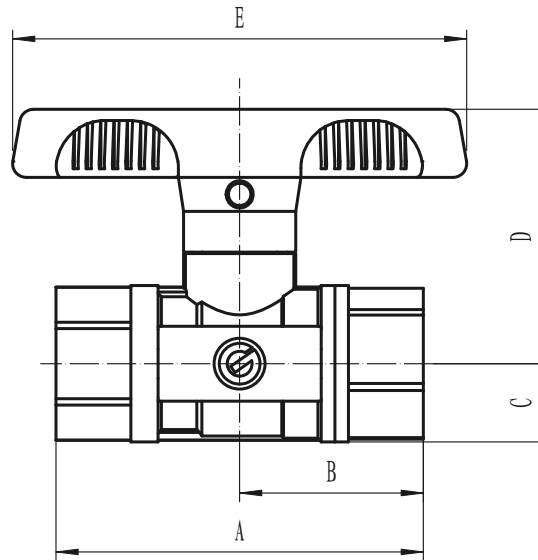
### ■ Materials of Construction

Components	Material
1 Handle	Nylon
2 Lock Nut	316 SS
3 Upper Gland	316 SS
4 Bushing	PTFE
5 O-ring	CR
6 Bushing	PTFE
7 Ball Stem	316 SS
8 Body	316 SS
9 Packing	PTFE
10 Ball	316 SS
11 O-ring	PTFE
12 Connector	316 SS



## ■ BV112, BV113, BV114, BV116, BV118 SERIES BALL VALVES

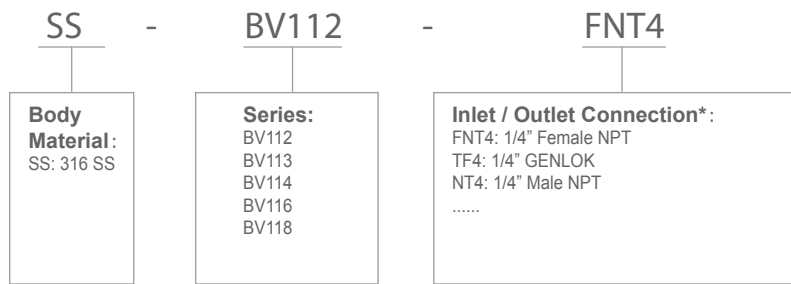
### ■ Dimensions



English Units

Model	Orifice (in.)	CV	Connection Type		Dimension (in.)				
			Inlet	Outlet	A	B	C	D	E
SS-BV112-TF4	0.20	1.3	1/4" GENLOK		3.15	1.57	0.45	1.48	2.63
SS-BV112-FNT4	0.20	1.3	1/4" Female NPT		2.13	1.06	0.45	1.48	2.63
SS-BV112-NT4	0.20	1.3	1/4" Male NPT		2.83	1.42	0.45	1.48	2.63
SS-BV113-TF6	0.28	2.6	3/8" GENLOK		3.31	1.65	0.45	1.48	2.63
SS-BV113-FNT6	0.28	2.6	3/8" Female NPT		2.13	1.06	0.45	1.48	2.63
SS-BV113-NT6	0.28	2.6	3/8" Male NPT		2.83	1.42	0.45	1.48	2.63
SS-BV114-TF8	0.41	10.5	1/2" GENLOK		4.17	2.09	0.77	2.07	3.70
SS-BV114-FNT8	0.41	10.5	1/2" Female NPT		3.31	1.65	0.77	2.07	3.70
SS-BV116-TF12	0.51	13.5	3/4" GENLOK		4.17	2.09	0.77	2.07	3.70
SS-BV116-FNT12	0.51	13.5	3/4" Female NPT		3.31	1.65	0.77	2.07	3.70
SS-BV118-TF16	0.63	18	1" GENLOK		4.25	2.13	0.77	2.07	3.70

### ■ Ordering Information



\* Specifications listed in table above change to. Please refer to the chart above for the available specifications for the desired connection type.