

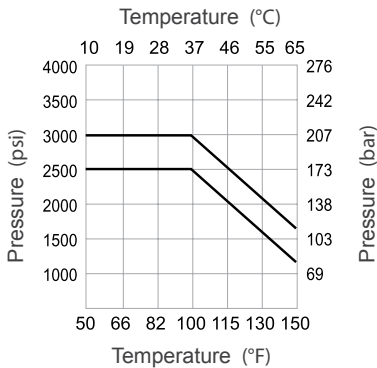
Ball Valves

■ BV13, BV14, BV15, BV16, BV18 SERIES BALL VALVES



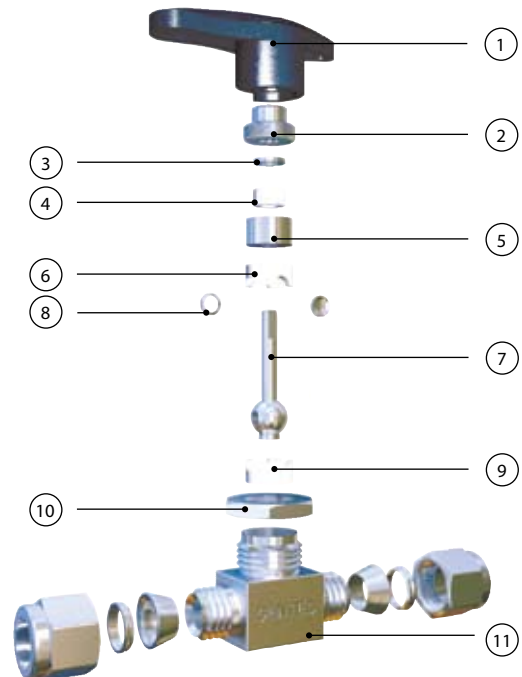
■ Features

- Maximum operating pressure: 3000 psi (207 bar)- BV15
2500 psi (172 bar)- others
- Operating temperature: 50°F ~ 150°F (10°C ~ 65°C)
- Handle indicates the flow direction
- End connections: GENLOK, NPT and FSR
(please refer to the tables on next page for the specifications)
- Straight pattern is standard, angle pattern is also available
- Panel mounting available
- Cleaned and degreased for oxygen service according to CGA G-4.1 and ASTM G93 Class C, respectively
- Every valve is factory tested for leakage at 1000 psi
Adjust packing nut when the working pressure is higher than 1000 psi to prevent leakage.



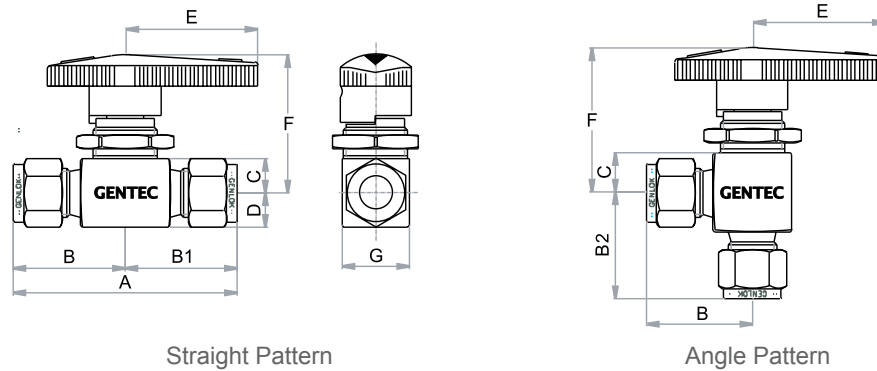
■ Materials of Construction

Components	Material
1 Handle	Nylon
2 Packing Bolt	316 SS
3 Upper Gland	316 SS
4 Bushing	PTFE
5 Lower Gland	316 SS
6 Upper Packing	PTFE
7 Ball Stem	316 SS
8 Side Rings	316 SS
9 Lower Packing	PTFE
10 Pannel Nut	316 SS
11 Body	316 SS



■ BV13, BV14, BV15, BV16, BV18 SERIES BALL VALVES

■ Dimensions



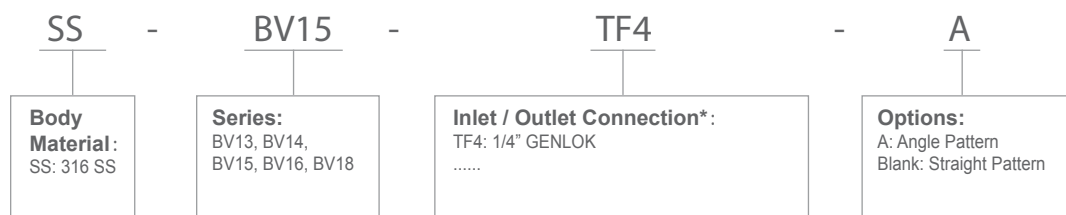
Metric

Model	Orifice (mm)	CV	Connection Type		Dimension (mm)								Panel Mounting Hole Diameter(mm)	
			Inlet	Outlet	A	B	B1	B2	C	D	E	F		G
SS-BV13-TF3M	2.4	0.2	3 mm GENLOK		51.1	25.7	25.7	24.6	8.60	7.1	28.4	34.5	14.7	15.5
SS-BV14-TF6M	3.2	0.6	6 mm GENLOK		56.1	27.9	27.9	27.2	8.60	7.1	28.4	34.5	14.7	15.5
SS-BV15-TF6M	4.8	2.4	6 mm GENLOK		60.7	30.5	30.5	29.7	11.2	9.7	38.9	39.6	19.8	20.0
SS-BV15-TF8M	4.8	1.5	8 mm GENLOK		62.5	31.2	31.2	30.5	11.2	9.7	38.9	39.6	19.8	20.0
SS-BV16-TF10M	7.1	6.0	10 mm GENLOK		78.0	38.9	38.9	36.9	14.2	14.2	50.8	52.6	28.4	28.0
SS-BV18-TF12M	9.5	12.0	12 mm GENLOK		99.6	49.8	49.8	44.2	17.5	17.5	76.2	61.7	38.1	39.5

English Units

Model	Orifice (in.)	CV	CV (Right-angle Type)	Connection Type		Dimension (in.)								Panel Mounting Hole Diameter (in.)
				Inlet	Outlet	A	B	B1	C	D	E	F	G	
SS-BV13-TF2	0.093	0.20	0.15	1/8" GENLOK		2.00	1.00	1.00	0.34	0.28	1.12	1.34	0.67	0.61
SS-BV14-FNT2	0.125	0.50	0.30	1/8" Female NPT		1.62	0.81	0.81						
SS-BV14-TF4		0.60	0.35	1/4" GENLOK		2.18	1.09	1.09	0.44	0.37	0.78			
SS-BV14-VM4		0.60	0.35	1/4" Male FSR		2.12	1.06	1.06						
SS-BV15-FNT2	0.187	1.20	0.50	1/8" Female NPT		2.00	1.00	1.00	0.44	0.37	1.53	1.53	0.78	0.79
SS-BV15-FNT4		1.20	0.75	1/4" Female NPT		2.06	1.03	1.03						
SS-BV15-NT4		1.20	0.75	1/4" Male NPT		2.00	1.00	1.00						
SS-BV15-NT4-TF4		1.60	0.75	1/4" Male NPT	1/4" GENLOK	2.19	1.00	1.19						
SS-BV15-TF4		2.40	0.90	1/4" GENLOK		2.38	1.19	1.19						
SS-BV15-TF6		2.40	0.90	3/8" GENLOK		2.56	1.28	1.28						
SS-BV15-VM4		2.40	0.90	1/4" Male FSR		2.12	1.06	1.06						
SS-BV16-FNT4		3.00	1.7	1/4" Female NPT		2.50	1.25	1.25						
SS-BV16-FNT6	0.281	3.00	1.5	3/8" Female NPT		2.50	1.25	1.25	0.56	0.56	2.00	2.06	1.12	1.10
SS-BV16-TF6		6.00	2.0	3/8" GENLOK		3.06	1.53	1.53						
SS-BV16-VM8		6.00	-	1/2" Male FSR		2.88	1.44	1.44						
SS-BV18-FNT8	0.406	6.30	3.5	1/2" Female NPT		3.12	1.56	1.56	0.69	0.69	3.00	2.44	1.50	1.56
SS-BV18-TF8		12.0	4.6	1/2" GENLOK		3.94	1.97	1.97						
SS-BV18-TF12		12.0	3.8	3/4" GENLOK		3.94	1.97	1.97						

■ Ordering Information



* Specifications listed in table above change to. Please refer to the chart above for the available specifications for the desired connection type.