

# Ball Valves

## ■ BV42 SERIES BALL VALVES

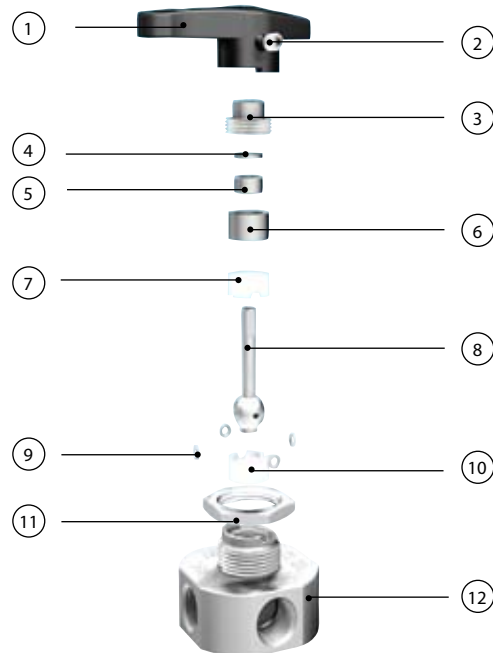


### ■ Features

- Crossover (4 way) valve
- Maximum operating pressure: 2500 psi (172bar)
- Operating temperature: 50°F ~ 150°F (10°C ~ 65°C)
- End connection: NPT
- Capsule packing allows crossover of two streams
- Panel mounting available
- Top-loaded design allows in-line adjustment
- Multi-directional flow allows easy cleaning and purging
- Cleaned and degreased for oxygen service according to CGA G-4.1 and ASTM G93 Class C, respectively
- Every valve is factory tested for leakage at 1000 psi  
Adjust packing nut when working pressure is higher than 1000 psi to prevent leakage.

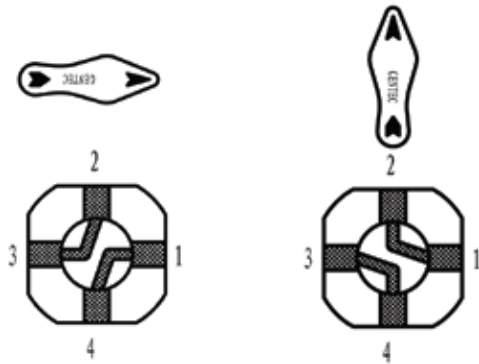
### ■ Materials of Construction

Components	Material
1 Handle	Nylon
2 Set Screw	Stainless steel
3 Packing Bolt	316 SS
4 Upper Gland	316 SS
5 Bushing	PTFE
6 Lower Gland	316 SS
7 Upper Packing	PTFE
8 Ball Stem	316 SS
9 Side Rings	316 SS
10 Lower Gland	PTFE
11 Pannel Nut	316 SS
12 Body	316 SS

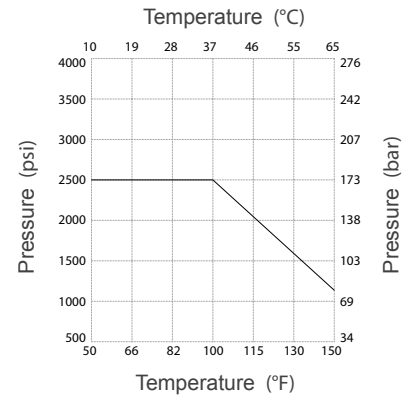


## BV42 SERIES BALL VALVES

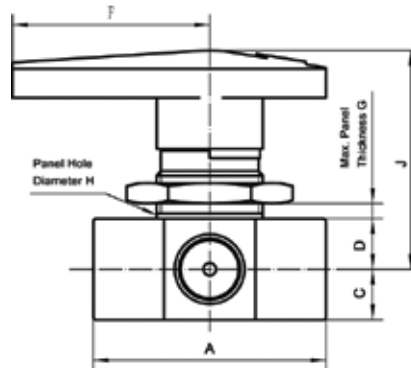
### Flow Path Designator



### Flow



### Dimensions



English Units

Model	Orifice (in.)	CV	Connection Type Inlet/Outlet	Dimension (in.)							
				A	B	C	D	F	G	H	J
SS-BV42-FNT2	0.062	0.08	1/8" Female NPT	1.55	0.78	-	0.44	1.53	3/16	29/32	1.69
SS-BV42-FNT4	0.062	0.08	1/4" Female NPT	1.81	0.91	-	0.44	1.53	3/16	29/32	1.69

### Ordering Information

