

MEDICAL GAS CONSOLE OUTLET CHEMETRON® COMPATIBLE 90° TUBING

Features

- Accepts only Chemetron style gas specific adapters
- Indexed to prevent interchangeability of gas services
- 360° swivel inlet tube for easy installation
- Cleaned for oxygen service
- 100% leak tested
- Complies with NFPA 99

Specifications

Medical gas outlet(s) shall be manufactured by Genstar Technologies Co., Inc. (GENTEC®) in an ISO 9001 and ISO 13485 certified facility. Console outlet shall be designed for concealed piping installation and available for gas services indicated.

Outlets shall be delivered to the customer in a gas specific rough-in assembly, and a matching gas specific latch valve assembly, both cleaned for oxygen use in strict accordance with CGA G-4.1 and in sealed packages. Optional trim plates can be provided to trim each outlet assembly and allow latch valve to be individually removed for servicing.

The latch valve assembly shall be Chemetron quick connect compatible, and accept only corresponding gas specific type adapters. Each latch valve assembly shall be color-coded for ease of gas identification per the appropriate standards (US or ISO). Latch valve assemblies shall have gas specific pin indexing corresponding to the rough-in assembly to prevent interchangeability of gas services. Outlets can be easily converted from one adapter type to another by replacing the latch valve assembly with another of the same gas service.



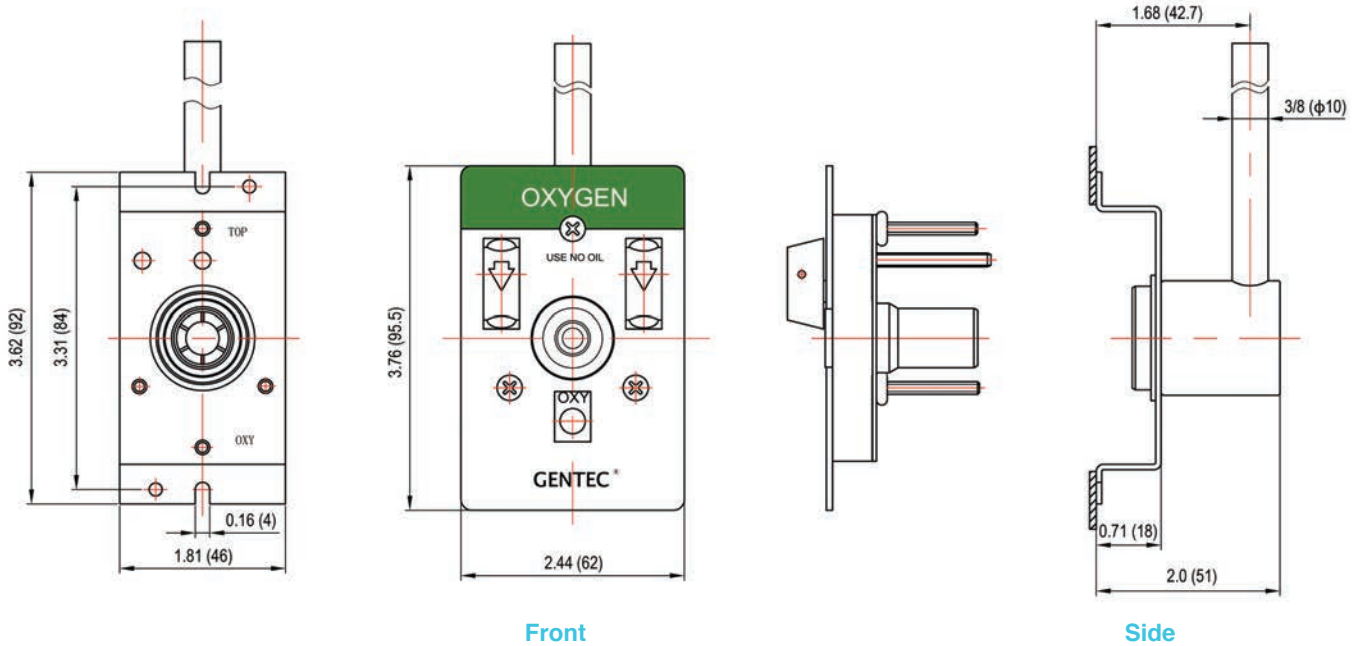
Universal rough-in assembly shall include a rough-in plate (16 ga.) with gas inlet tubing silver brazed to the outlet body. Inlet tubing shall be type “K” copper, 1/2” O.D. (12.7 mm), extend 6-1/2 inches (165 mm) and swivel 360° for ease of installation. Rough-in assembly shall accept only the specified gas service by use of indexes. A dust plug shall be provided to protect rough-in assembly from contamination during handling and installation.

The rough-in assembly shall accept any latch valve assembly of the same gas service. The latch valve assembly shall be interchangeable, allowing conversion from one connection style to another without shutting down the medical gas piping system.

All gas outlets shall have primary and secondary check valves, where the secondary valve in the rough-in assembly allows servicing of the latch valve assembly without having to disrupt gas service to the outlet.

All assemblies shall be 100% tested for leaks, manufactured to comply with the latest edition of NFPA 99, and UL and CSA approved.

Dimensions



Dimensional Data Notes:

- Ohmeda compatible quick connect type latch valve shown
- 3/8" (9.5 mm) Nominal (1/2" O.D.) (12.7 mm) type K copper inlet tube allows 360° swivel on outlet body for entry from any angle
- Inch (mm)
- Wall thickness 1/2" (12.7 mm) to 1" (12.5 mm)

Ordering Information

Chemetron Compatible		
Gas Service	Catalog Number	Quantity
Oxygen	3813U-O	
Vacuum	3813U-V	
Medical Air	3813U-A	
Nitrous Oxide	3813E-2	
WAGD	3813U-W	
Carbon Dioxide	--	
Nitrogen	--	
Instrument Air	--	

Material

Latch Valve	Rough-in	Trim Plate
Aluminum	Stainless Steel	Aluminum+Coating
ABS Plastic	ABS Plastic	
Steel/Brass+Plating		
Stainless Steel		
Brass		
Neoprene		
Rubber		

Ordering Information shows a Complete Console Outlet, including a Rough-in Assembly and a Latch Valve Assembly. Trim plate is optional.

Note: US colors listed. For ISO 32 colors replace "U" with "E" in the above catalog numbers.

