

■ DV53 SERIES DIAPHRAGM VALVES



■ Features

- Suitable for high purity applications
- Connections: FSR, NPT and GENLOK
- Metal-to-metal seal minimizes particle generation and ensures purity integrity in the flow passages
- Long service life
- 100% Helium leak tested

■ Materials

- Body: 316L
- Seat: PCTFE
- Diaphragm: Elgiloy®

■ Specifications

- Cv: 0.16
- Leak Rate
 - Inboard: 1×10^{-9} atm cc/sec He
 - Across Seat: 4×10^{-9} atm cc/sec He
- Proof Pressure: 150% of maximum operating pressure
- Burst Pressure: 400% of maximum operating pressure

■ Operating Conditions

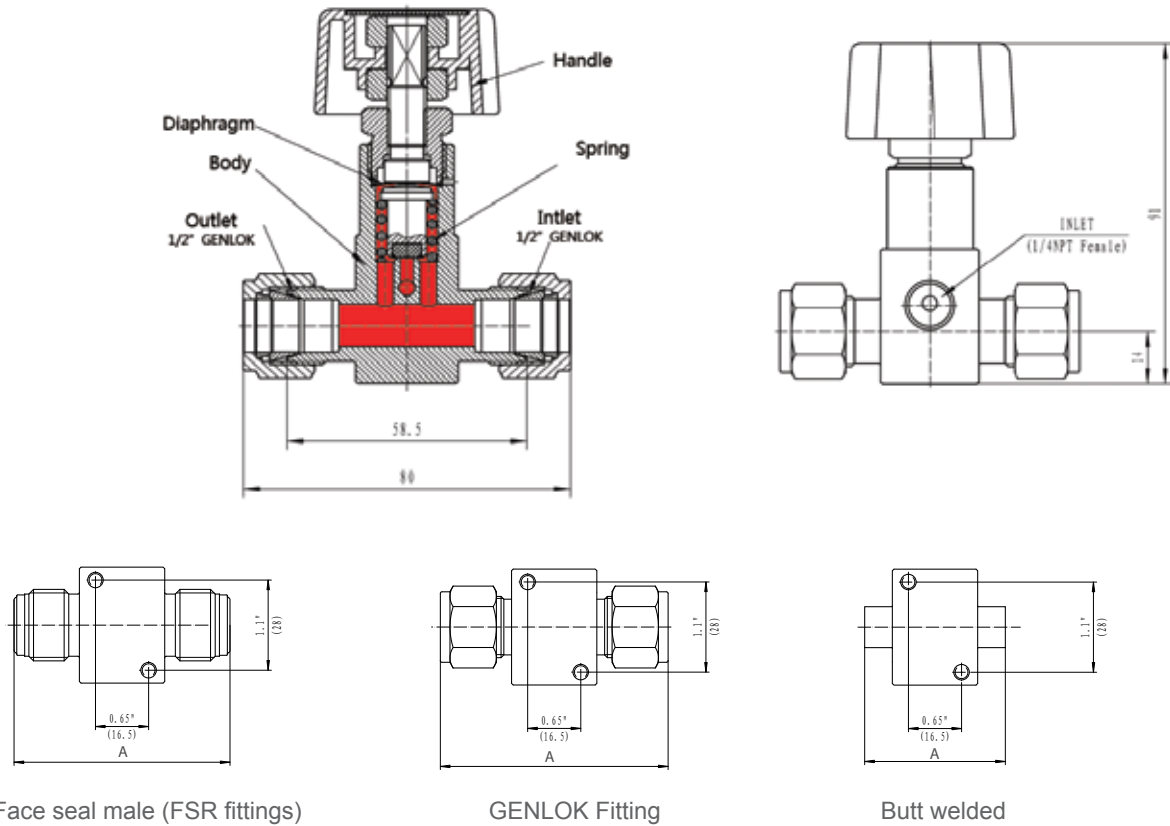
- Maximum operating pressure: 3500 psi (240 bar)
- Minimum operating pressure: Vacuum
- Operating temperature: 40°F ~ 150°F (-40°C ~ 65°C)

■ Surface Finish

- Standard Ra: 20 μ m

DV53 SERIES DIAPHRAGM VALVES

Dimensions



Flow Path Designator

Type	Three-way	Four-way
Flow schematic	E	I
Red arrow indicates inlet, Blue arrow indicates outlet*		

*All schematics are from top view

Inlet	Outlet	A (mm)
FNT4	TF6	50.3
FNT4	TF8	58.5
FNT4	TW6	58.5
FNT4	TW8	39.5
FNT4	VM8	67.1

Ordering Information

SL	-	DV53	N	H	E	-	FNT4	-	TF8
Body Material: SL: 316SL		Model: DV53	Actuation: N: Manual M: Handwheel (With display)	Working Pressure: H: 3500 psi	Flow Path: Three-way valve E: Right inlet, top / bottom outlet Four-way valve I: Two inlet / two outlet Please refer to Flow Path Designator table above		Inlet Connection: FNT4		Outlet Connection: TF6, TF8 TW6, TW8 VM8