

Diaphragm Valves

■ DV90 SERIES DIAPHRAGM VALVES



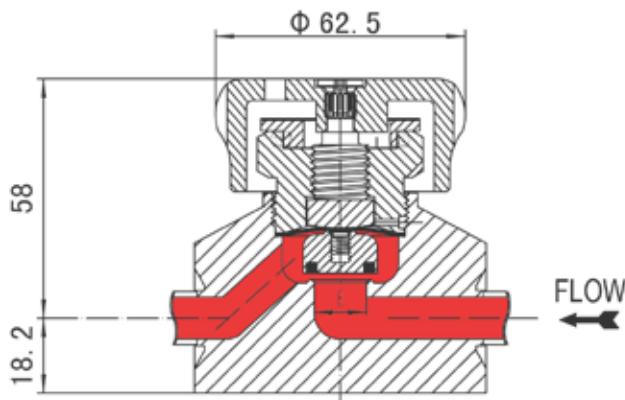
■ Features

- Suitable for high ultra purity applications
- End connection: Face seal fittings (FSR) and butt welded
- Internal spring-less design and metal-to-metal seal minimizes particle generation and ensures high purity in the flow passages
- Cleaned and degreased for oxygen service according to CGA G-4.1 and ASTM G93 Class C, respectively
- Long Service life
- 100% Helium-leak tested

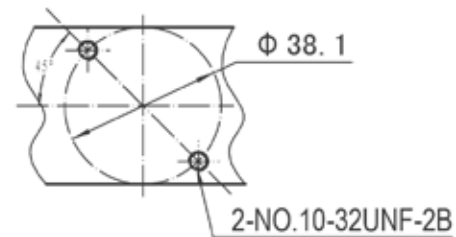
■ Specifications

- Body: 316L stainless steel
- Seat: PCTFE
- Diaphragm: Elgiloy®
- Maximum Operating Pressure: 300 psi (20.7 bar)
- Temperature: -40°F ~ 150°F (-40°C ~ 65°C)
- Cv: 2.8
- Standard Ra: 20 µin (BA)
Optional: 7 µin (EP)

■ Dimensions

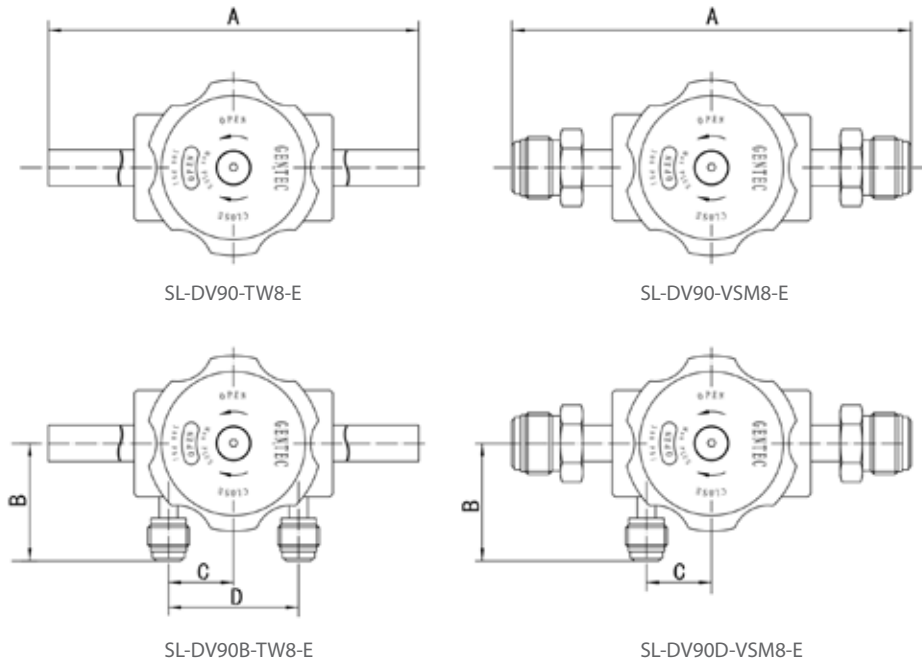


Rear Surface Mount



DV90 SERIES DIAPHRAGM VALVES

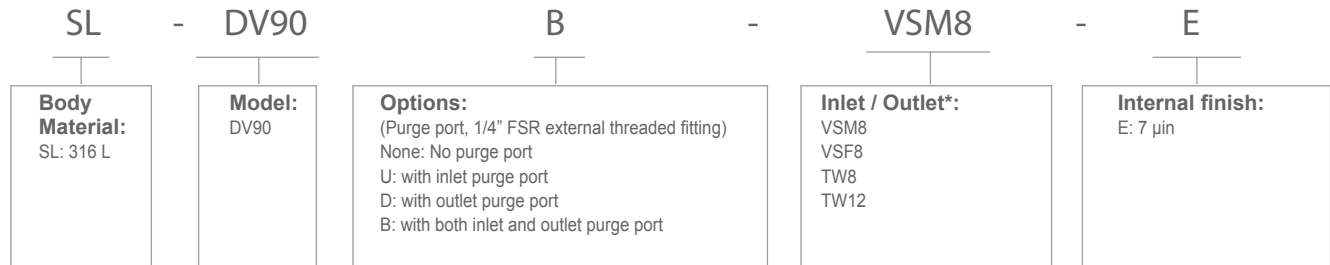
Dimensions



English Units

Model	Inlet / Outlet Connection Type	Hole dia. (in.)	CV	Dimension (in.)			
				A	B	C	D
SL-DV90B-VSM8-E	1/2" Face seal swivel male (FSR fittings)	0.50	2.8	5.61	1.67	0.92	1.83
SL-DV90-VSM8-E	1/2" Face seal swivel male (FSR fittings)		2.8	5.61	/	/	/
SL-DV90B-VSF8-E	1/2" Face seal swivel female (FSR fittings)		2.8	5.61	1.67	0.92	1.83
SL-DV90-VSF8-E	1/2" Face seal swivel female (FSR fittings)		2.8	5.61	/	/	/
SL-DV90B-TW8-E	1/2" Butt-welded		2.8	8.78	1.67	0.92	1.83
SL-DV90-TW8-E	1/2" Butt-welded		2.8	8.78	/	/	/
SL-DV90B-TW12-E	3/4" Butt-welded		2.8	8.78	1.67	0.92	1.83
SL-DV90-TW12-E	3/4" Butt-welded		2.8	8.78	/	/	/

Ordering Information



* Specifications listed in table above change to. Please refer to the chart above for the available specifications for the desired connection type.

Inlet & Outlet Connections		
Type	Dimensions	8 = 1/2" 12 = 3/4"
VSM: Face seal swivel male (FSR fittings)	8	
VSF: Face seal swivel female (FSR fittings)	8	
TW: Butt welded	8, 12	