

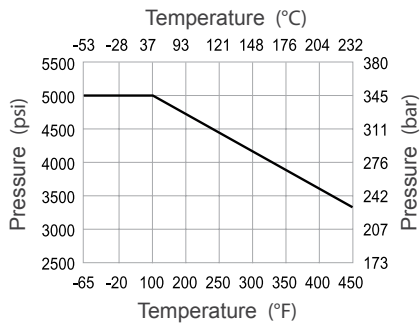
Needle Valves

NV11, NV12, NV13, NV14 SERIES NEEDLE VALVES



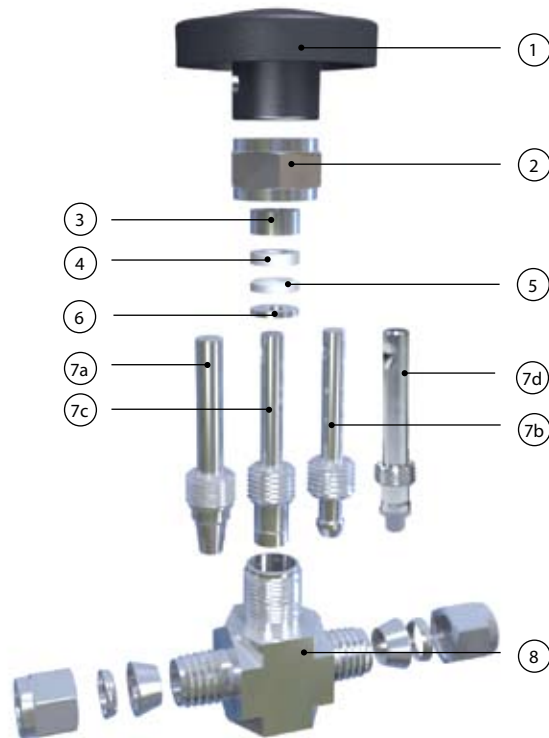
Features

- Maximum operating pressure: 5000 psi (345 bar)
- V type stem is standard; R, K, and N type stem are also available
- End connections: GENLOK and NPT
(please refer to the specification tables for available dimensions)
- Straight pattern is standard, angle pattern is also available
- Panel mounting available
- Cleaned and degreased for oxygen service according to CGA G-4.1 and ASTM G93 Class C, respectively
- Every valve is factory tested for leakage at 1000 psi (69 bar)
Adjust packing nut when working pressure is higher than 1000 psi to prevent leakage.



Materials of Construction

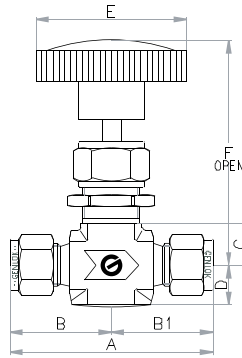
Components	Material
1 Round Handle / Bar Handle	ABS with brass inset / Aluminium
2 Packing Nut	316 SS
3 Gland	316 SS
4 Upper Packing	PTFE
5 Lower Packing	PTFE
6 Lower Gland	316 SS
7a R-TYPE Valve Stem	316 SS
7b V-TYPE Valve Stem	316 SS
7c K-TYPE Valve Stem	PCTFE
7d N-TYPE Valve Stem	PTFE
8 Body	316 SS



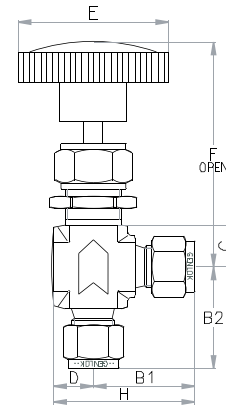
NV11, NV12, NV13, NV14 SERIES NEEDLE VALVES

Dimensions

Straight Pattern



Angle Pattern



Metric

Model	Orifice (mm)	CV	Connection Type		Dimension (mm)								Panel Mounting Hole Diameter (mm)	
			Inlet	Outlet	A	B	B1	B2	H	C	D	E		F Open
SS-NV11-TF3M	2.0	0.09	3 mm GENLOK		49.3	24.6	24.6	24.6	32.5	11.2	7.87	25.4	58.2	12.0
SS-NV12-TF6M	4.4	0.37	6 mm GENLOK		57.4	28.7	28.7	28.7	38.4	11.2	9.65	35.1	59.4	15.5
SS-NV12-TF8M	4.4	0.37	8 mm GENLOK		59.4	29.7	29.7	29.7	39.4	11.2	9.65	35.1	59.4	15.5
SS-NV12-NT4-TF6M	4.4	0.37	1/4" Male NPT	6 mm GENLOK	53.6	24.9	29.7	24.9	39.4	11.2	9.65	35.1	59.4	15.5
SS-NV13-TF10M	6.4	0.73	10 mm GENLOK		66.0	33.0	33.0	33.0	45.7	12.7	12.7	47.8	71.4	20.0
SS-NV13-TF12M	6.4	0.73	12 mm GENLOK		71.1	35.6	35.6	35.6	48.3	14.0	12.7	47.8	71.4	20.0

English Units

Model	Orifice (in.)	CV	Connection Type		Dimension (in.)								Panel Mounting Hole Diameter (in.)	
			Inlet	Outlet	A	B	B1	B2	H	C	D	E		F Open
SS-NV11-TF2	0.080	0.09	1/8" GENLOK		2.00	1.00	1.00	1.00	1.31	0.44	0.31	1.00	2.29	0.47
SS-NV11-NT2-TF2			1/8" Male NPT	1/8" GENLOK	1.75	0.75	1.00	0.75	1.31					
SS-NV12-TF4	0.172	0.37	1/4" GENLOK		2.31	1.16	1.16	1.16	1.51	0.56	0.38	1.38	2.34	0.61
SS-NV12-FNT2			1/8" Female NPT		1.62	0.81	0.81	0.81	1.19					
SS-NV12-NT2			1/8" Male NPT		2.00	1.00	1.00	1.00	1.19					
SS-NV12-NT4			1/4" Male NPT		2.00	1.00	1.00	1.00	1.36					
SS-NV12-NT4-TF4			1/4" Male NPT	1/4" GENLOK	2.16	1.00	1.16	1.00	1.51					
SS-NV13-TF6			3/8" GENLOK		2.60	1.30	1.30	1.30	1.79					
SS-NV13-TF8	1/2" GENLOK		2.82	1.41	1.41	1.41	1.90							
SS-NV13-FNT4	1/4" Female NPT		2.12	1.06	1.06	1.06	1.56							
SS-NV13-NT6	3/8" Male NPT		2.24	1.12	1.12	1.12	1.62							
SS-NV13-NT4-FNT4	0.250	0.73	1/4" Male NPT	1/4" Female NPT	2.18	1.12	1.06	1.12	1.56	0.75	0.50	1.96	2.81	0.79
SS-NV13-NT6-FNT6			3/8" Male NPT	3/8" Female NPT	2.22	1.12	1.10	1.12	1.60					
SS-NV13-NT4-TF6			1/4" Male NPT	3/8" GENLOK	2.42	1.12	1.30	1.12	1.79					
SS-NV13-NT6-TF6			3/8" Male NPT	3/8" GENLOK	2.42	1.12	1.30	1.12	1.79					
SS-NV13-NT6-TF8			1/2" Male NPT	1/2" GENLOK	2.53	1.12	1.41	1.12	1.90					
SS-NV14-TF2			3/4" GENLOK		3.82	1.91	1.91	1.94	2.66					
SS-NV14-FNT6	3/8" Female NPT		3.00	1.50	1.50	1.50	2.25							
SS-NV14-FNT8	1/2" Female NPT		3.00	1.50	1.50	1.50	2.25							
SS-NV14-NT8	1/2" Male NPT		3.00	1.50	1.50	1.50	2.25							
SS-NV14-NT8-FNT8	1/2" Male NPT	1/2" Female NPT	3.00	1.50	1.50	1.50	2.25							

Ordering Information

SS	- NV12	- NT4	- TF4	- V	- A	- B
Body Material: SS: 316 SS	Series: NV11 NV12 NV13 NV14	Inlet Connection*: NT4: 1/4" Male NPT	Outlet Connection*: TF4: 1/4" GENLOK	Valve stem type: V: V Type R: R Type K: K Type N: N Type	Options: A: Angle Pattern Blank: Straight Pattern	Handle Options**: Blank: Standard B: Other option

* Specifications listed in table above change to. Please refer to the chart above for the available specifications for the desired connection type.

** Round Handle is standard for NV11, NV12 and NV13 series. Select -B for alternative Bar handle. For NV14, Bar Handle is the standard, please select -B for alternative Round Handle.