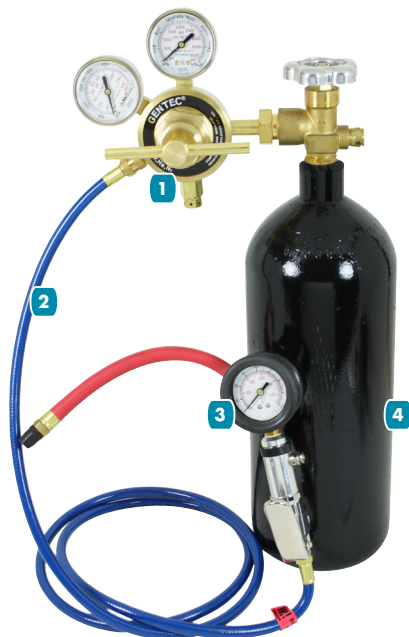


## Nitrogen Tire Inflation Kits



- 1. 452IN-175-WO - Regulator
- 2. HQ14-012 - Hose
- 3. TF7000 - Inflater
- 4. CY20-580 - 20 cu. ft. cylinder  
CY40-580 - 40 cu. ft. cylinder (available)

- Longer Tire Life
- Better Gas Mileage
- Less Tire Maintenance

GENTEC Nitrogen Tire Inflation Kits allow for easy, cost effective filling of automobile and truck tires with pure nitrogen. The kits are portable, easy to operate, and conforms to the specifications and requirements of UL, DOT, and OSHA.

Compressed Nitrogen Gas, a dry inert gas, allows tires to last longer, perform better, and function with a greater degree of reliability than tires inflated with standard compressed air. Its large-sized molecule helps with tire pressure retention and leads to more uniform tire wear and better gas mileage. Also, it has a low thermal expansion coefficient that minimizes heat damage from pressure changes.

The GENTEC Nitrogen Tire Inflation Kits include a 12" hose whip end, high pressure nitrogen regulator, dial pressure gauge with reset purge valve, and 12 ft. coiled hose. The kits are also available with 20 or 40 cu. ft. nitrogen cylinders in a steel carrying stand.



GKNT



TW146



TF7000



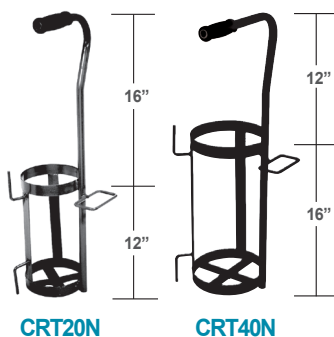
HQ14-012  
HQ14-025

## GKNT Nitrogen Tire Inflation Kits

Model Number	Components	
GKNT	HQ14-12 TW146 TF7000 452IN-175-WO	12 ft. Coiled Pneumatic Hose Whip End Tire Inflation Handle with Gauge Nitrogen Regulator
GKNT20-TC	GKNT CY20-580 CRT20N	Kit 20 cu. ft. tank, empty* Cylinder Carrying Stand
GKNT20-T	GKNT CRT40N	Kit Cylinder Carrying Stand for 20 cu. ft. cylinder
GKNT40-TC	GKNT CY40-580 CYT40N	Kit 40 cu. ft. tank, empty Cylinder Carrying Stand
GKNT40-T	GKNT CRT40N	Kit Cylinder Carrying Stand

## Tire Kit Accessories

Model Number	Components
TW146	12" Hose with Whip End
452IN-175-WO	Nitrogen Regulator
TF7000	Tire Inflation Handle with Gauge
HQ14-012	12 ft. Coiled Pneumatic Hose
HQ14-025	25 ft. Coiled Pneumatic Hose
CRT20N	20 cu. ft Cylinder Carrying Stand
CRT40N	40 cu. ft Cylinder Carrying Stand



\*20 cu. ft. kit can typically inflate approximately 20 mounted passenger car tires.